

5,8GHz Omni Directional Antenna

MS5209

General Description

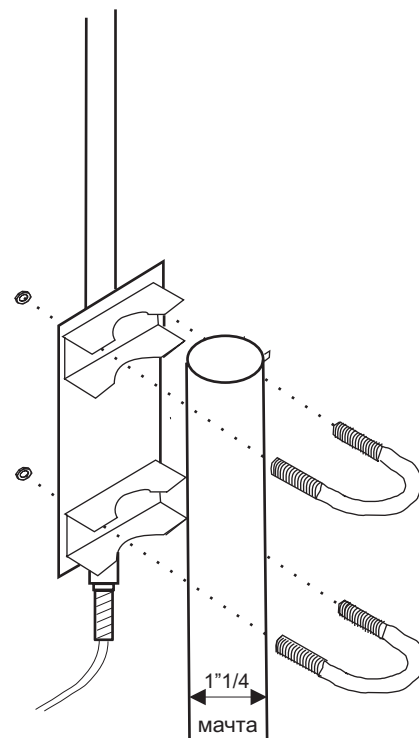
The 5GHz Wide Band Mesh Series Omni Directional antenna offered by ANTENI.NET Ltd. is constructed of White color UV-stable base. They have Type N Male connectors for direct connection to wireless enclosures. The horizontal pattern is a full 360 degrees with gain flatness better than 1dB. Because of it's slimline design and low wind loading characteristics, multiple antennas can be used on a single enclosure, enabling multiantenna diversity and MIMO technologies used in many modern mesh networking systems.



PRICE: 32 EURO

Technical Specifications

Specifications	value
Nominal Gain	>9dB
Frequency	5100-5900 Mhz
Azimuth	360 deg
VSWR	1,5 : 1
Nominal Impedance	50 ohms
Maximum Power	50W
Wind Survival	125km/h
Size	35 cm
Weight	300g
Temperature range	-45 to 70



Trademark N17267/3/10/90

MIRO-Systems

ANTENI.NET Ltd

9000Varna P.O.Box.339

<http://www.anteni.net> e-mail: office@anteni.net ICQ14310232 fone/fax: (052)504 684