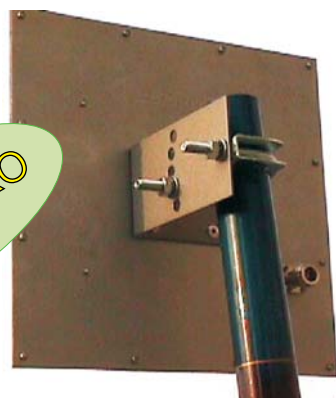


2,4GHz Panel Antenna

MS2415P

General Description

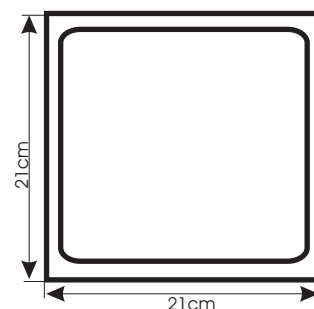
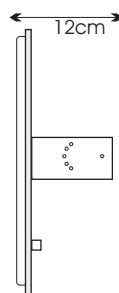
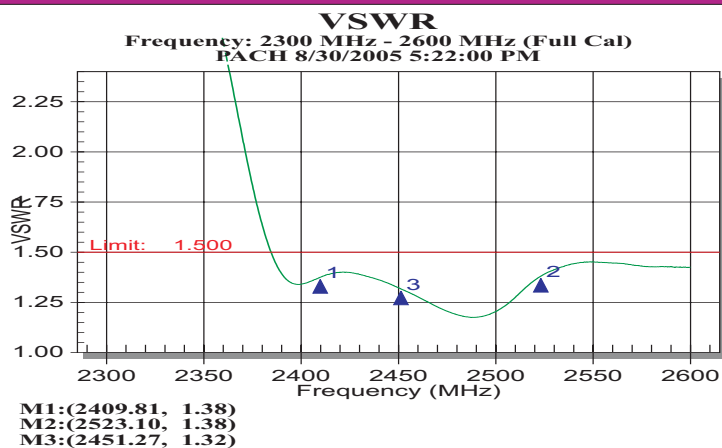
This antenna was designed for WLAN applications for frequencies of 2400 MHz to 2500 MHz. This panel antenna has an azimuth and **Elevation** beamwidth of 40 degrees . The MS2415P comes with a standard type-N(f) coax connector. This antenna's mounting bracket features a 40 degree up or down tilt selection. It is designed to mount to a round mast a bracket.



PRICE: 23 EURO

Technical Specifications

Specifications	value
Nominal Gain	>15dB
Frequency	2400-2500 Mhz
Azimuth/Elevation Beamwidth	40/40 deg
VSWR	1,4 : 1
Nominal Impedance	50 ohms
Maximum Power	50W
Wind Survival	120km/h
Size	21x21x12 cm
Weight	0,6kg
Temperature range	-45 to 60



Trademark N17267/3/10/90

MIRO-Systems

ANTENI.NET Ltd

9000Varna P.O.Box.339

<http://www.anteni.net> e-mail: office@anteni.net ICQ14310232 fone/fax: (052)504 684