

# 2,4GHz Panel Antenna

## MS2410

This antenna was designed for WLAN applications for frequencies of 2400 MHz to 2500 MHz. This panel antenna has an azimuth and Elevation beamwidth of 60 degrees . The MS2410 comes with a standard type-N(f) coax connector. This antenna is designed to mount to a round mast a bracket.

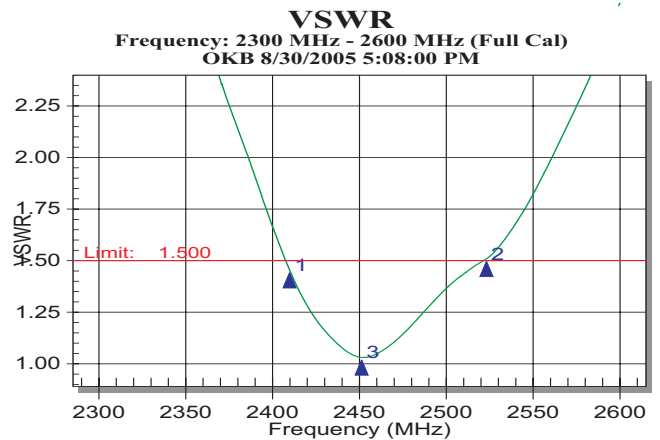
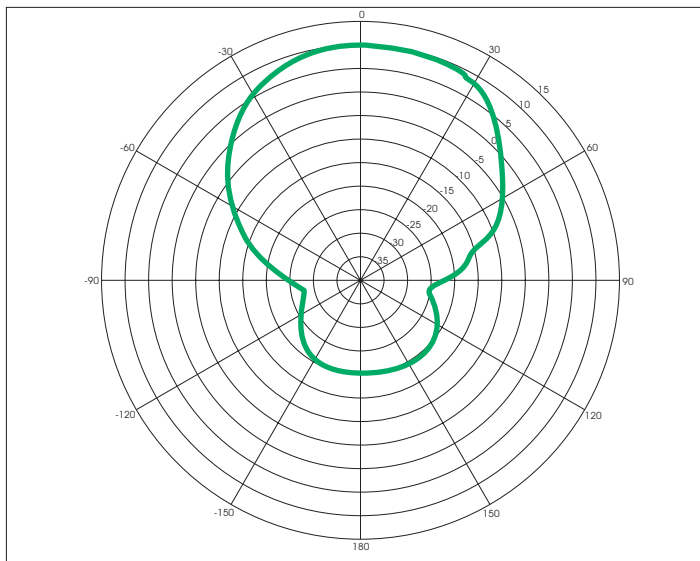
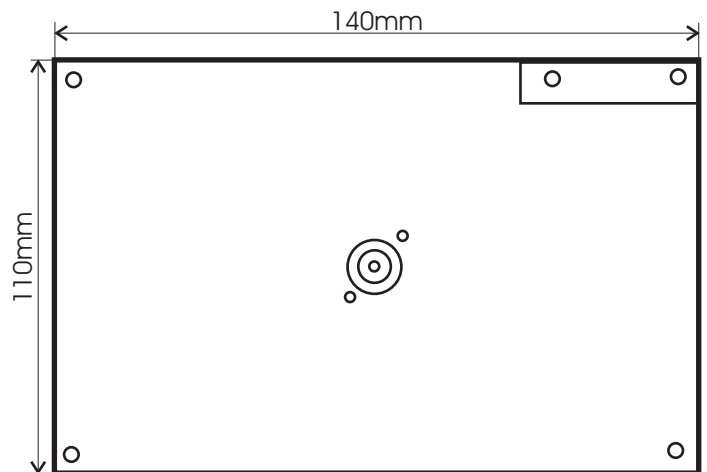


## Technical Specifications

PRICE: 14 EURO

Specifications	value
Nominal Gain	>10dB
Frequency	2400-2500 Mhz
Azimuth/Elevation Beamwidth	60/60 deg
VSWR	1,4 : 1
Nominal Impedance	50 ohms
Maximum Power	50W
Wind Survival	125km/h
Weight	120g
Temperature range	-45 to 60

## Size



M1:(2409.81, 1.45)  
M2:(2523.10, 1.51)  
M3:(2451.27, 1.03)



Trademark N17267/3/10/90

**MIRO-Systems**

# ANTENI.NET Ltd

9000Varna P.O.Box.339

<http://www.anteni.net> e-mail: [office@anteni.net](mailto:office@anteni.net) ICQ14310232 fone/fax: (052)504 684