

# 2,4GHz Omni Directional Antenna

## MS2406

### General Description

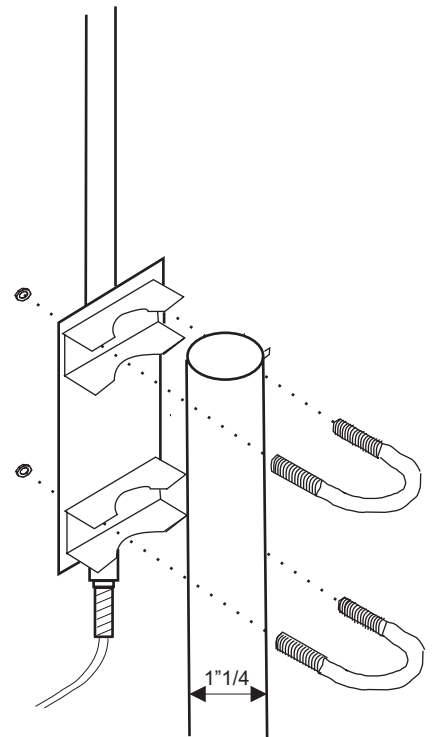
The Omni Directional antenna systems was designed for WLAN applications for frequencies of 2400 MHz to 2500 MHz . The MS2406 comes with a standard type-N(m) coax connector. This antenna's mounting bracket . It is designed to mount to a round mast a bracket.



PRICE: 32 EURO

### Technical Specifications

Specifications	value
Nominal Gain	>6dB
Frequency	2400-2500 Mhz
Azimuth	360 deg
VSWR	1,5 : 1
Nominal Impedance	50 ohms
Maximum Power	50W
Wind Survival	125km/h
Size	95x8 cm
Weight	0,4kg
Temperature range	-45 to 60



Trademark N17267/3/10/90

**MIRO-Systems**

**ANTENI.NET Ltd**

9000Varna P.O.Box.339

<http://www.anteni.net> e-mail: [office@anteni.net](mailto:office@anteni.net) ICQ14310232 fone/fax: (052)504 684